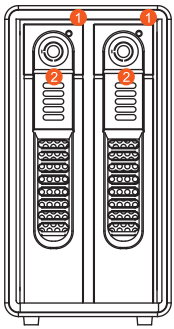


# RAIDON

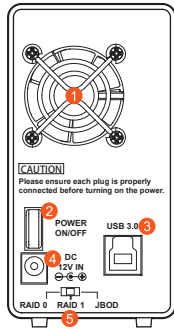
## GR3660-B3 Quick Installation Guide

### Product Diagrams and Contents of Product Package



Front View

- 1 HDD -1-2 Access
- 2 Tray Handle

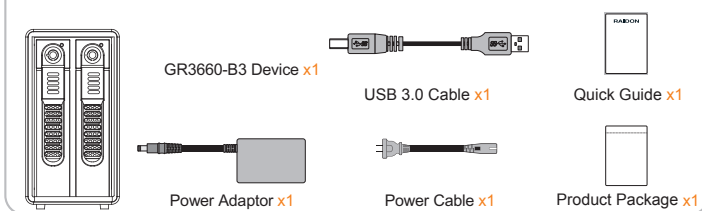


Rear View

- 1 Fan
- 2 Power Switch
- 3 USB3.0 Port
- 4 12V DC IN
- 5 RAID Mode

After you open the outer package, make sure that the following items are contained in the package:

#### Contents of Product Package



Please make sure that the related accessories and product body are not damaged or missing. If you have any question, please contact the local distributor or the retailer you purchase from for help.

v1.0 (July, 2014)

1

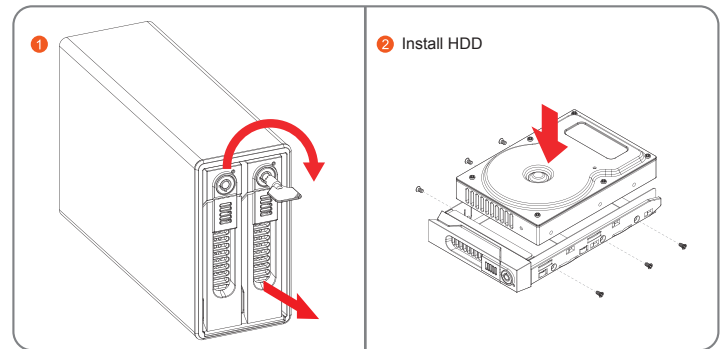
### LED Instruction

Status	No HDD	Standby	Data access	HDD failed	Sleeping or Host unplugged	Rebuilding
RAID 0	Red lights on	Blue lights on	Blue blinking	Red lights on	---	---
RAID 1	Red lights on	Blue lights on	Blue blinking	Red lights on	---	Source: Blue Blinking Target: Red and Blue Blinking
JBOD	Red lights on	Blue lights on	Blue blinking	---	---	---

### Hardware Installation

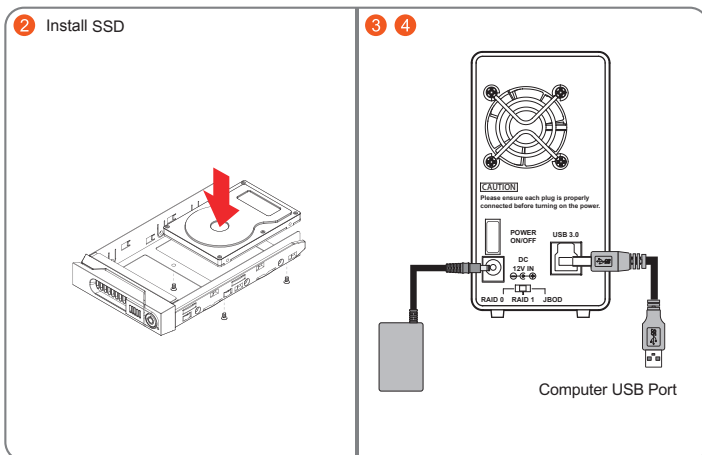
Please refer to the following procedures for the hardware installation of GR3660-B3:

1. Install your hard disks into the removable trays and secure them with the screws from accessory kit. This will protect your hard disk from any unnecessary movement.
2. Once the hard disks have been installed, insert the removable trays into device and close the handles.



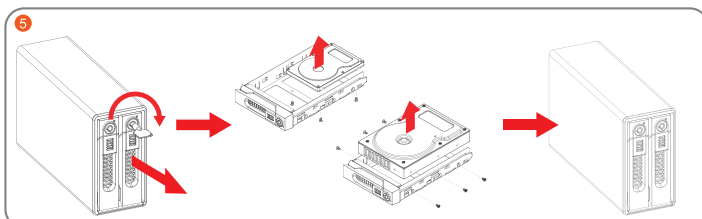
2

3. Configure the RAID level via the RAID mode switch from the back panel. (RAID 0, 1 & JBOD)
4. Connect the related cable to the correct plugs.



5. Hardware installation is now complete. Please power on the unit and follow the OS indications to format the hardware. After the configuration is completed you may access the data.

※ Whenever needed an SSD/HDD swap, just simply unlock the tray and releases it from the tray handle to exchange for the requiring SSD/HDD.



3

### Important Notice!

1. Please always connect the USB cable to the computer to ensure the energy saving function operating normally.
2. GR2660-B3 supports RAID 0 (Striping), RAID 1 (Mirroring) and JBOD. Please configure the RAID level before powering on.
3. If you reset the RAID mode later on, it would destroy the data in the disks. Please backup the data before configuring the RAID mode.
4. Once the computer turn to "Standby" or "Sleep" mode, GR2660-B3 will still complete the rebuilding function. However, it will not change to "Standby" mode after rebuilding. You need to shut down the GR2660-B3 manually or wake up the computer to synchronize "Standby" or "Sleep" mode together.
5. GR2660-B3 is utilizing the 12V adapter, please DO NOT use the 5V adapter to avoid the machine and data failure.
6. Do not remove the hard drive(s) while the system is powered on. Always remember to power off the system when removing the hard drives.

Thank you for choosing product from **RAIDON Technology Inc.** This information in the manual has been thoroughly checked before publication, but may not conform to the product actually delivered which mean actual product specifications depend on the product shipped to you. Any update in the specifications or product-related information shall not be subject to further notice but for the latest information on the product, please visit the website as [www.RAIDON.com.tw](http://www.RAIDON.com.tw) or contact us at [supporting@raidon.com.tw](mailto:supporting@raidon.com.tw), and we will get back to you as soon as possible.

4